



Product Specifications

TRI-FLEX



DISPENSER

Product Specifications

Range of dispenser power levels 100 kW, 200 kW, 400 kW and 640kW

Dynamic load management with 25 kW power sharing resolution

360-degree status lighting

CCS and NACS connectors

Supporting Liquid & Dry cables

MID, Eichrecht, NTEP/CTEP DC metering

Integrated payment terminal

Large branding surfaces

IP65 sealed enclosure for harsh environments

Life expectancy: 10 years

Warranty Standard 3 years, +1 yr | +2 yr extensions



System Characteristics

Output Voltage: 150 – 920 V DC

Supported Connectors: CCS1 | CCS2 | NACS

Accessibility: Meets American with Disabilities Act (ADA), EN 301 549 Accessibility height requirements

Display and User Interface: 10" LCD screen with physical buttons

Authentication Support:

RFID: MI-FARE ISO/IEC 14443A/B | ISO/IEC 15693 | ISO/IEC 18000-3 | FeliCa | NFC

Credit Card: Credit card terminals — various models

Vehicle: ISO15118 Plug and Charge | Autocharge

Safety sensors: tilt and door ingress

Remote management: remote access, configuration, diagnostics, software update

System Communications: Ethernet to Flex Hub

ISO 15118-2-20 ready

Electrical Protections: Over current, over voltage, under voltage, short circuit, insulation monitoring, over temperature

Environmental

Maximum Operating Altitude : 3000m (9840')

Operating Temperature: -35°C to +55°C (-31°F to +131°F)

Storage Temperature: -40°C to +60°C (-40°F to +140°F)

IK Rating: IK10

IP Rating: IP65 (NEMA 3R)

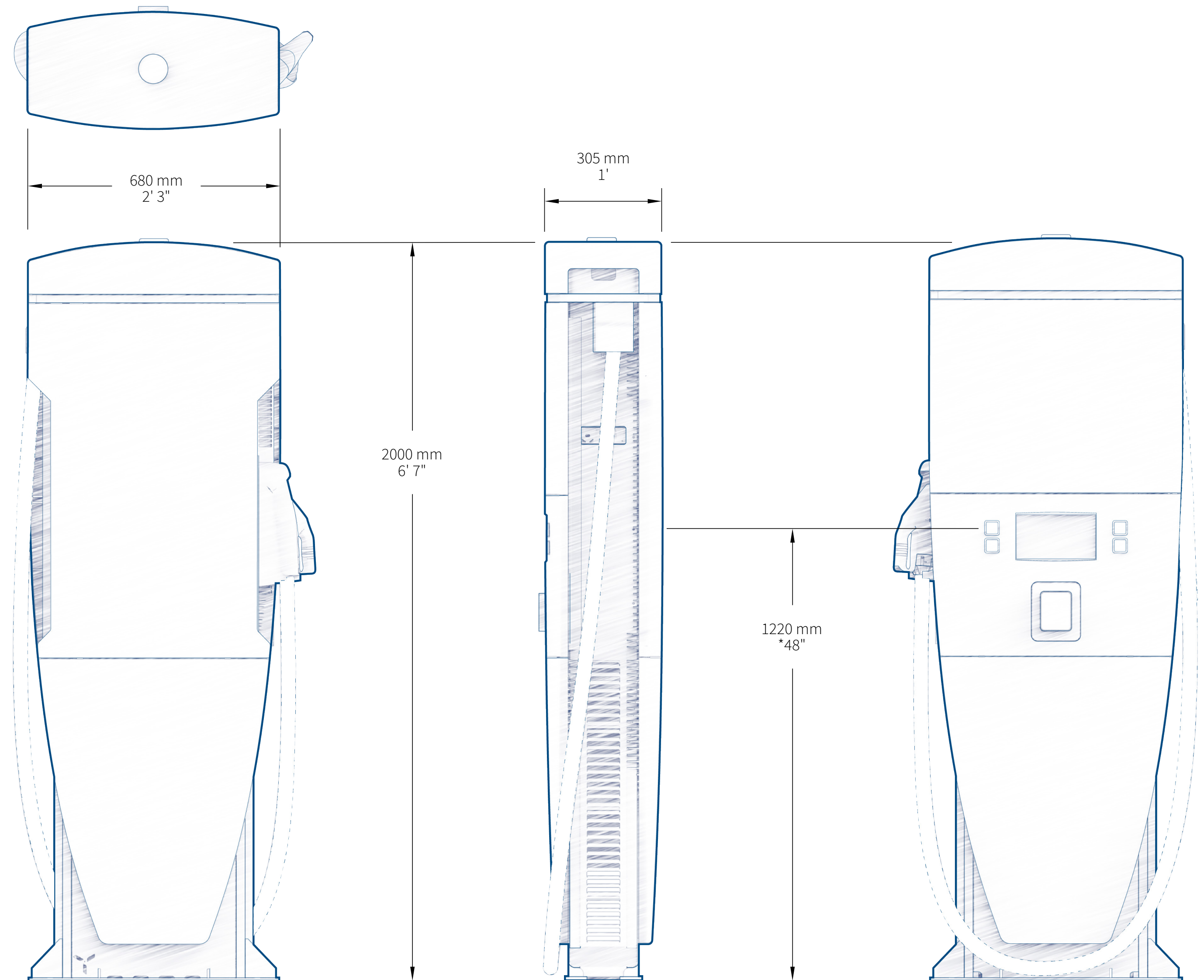
Noise Emission ≤ 65 dB(A) @ 1 m, full power 25°C (77°F)

Quiet mode ≤ 55 dB(A)



Physical

Height	2000 mm (6' 7")
Width	680 mm (2' 3")
Depth	305 mm (1')
Weight	150 kg (330 lbs)
Shipping Weight	240 kg (530 lbs)





	SINGLE DUAL CABLE			SINGLE CABLE
DISPENSER POWER	100KW	200KW	400KW	*640KW
SUPPORTED CABLES	CCS NACS			
CABLE COOLING METHOD	Dry	Dry & Liquid	Dry & Liquid	Liquid
SUPPORTED CABLES LENGTHS	3.5m 10m †	3.5m 10m †	3.5m	3.5m
	6m with cable management	6m with cable management	6m with cable management	
METERING	MID Eichrecht NTEP CTEP			
NO. OF OUTPUTS	Single Dual			Single
PAYMENT TERMINALS	Payter Apollo Payter Polar Ingenico Self 2000 Ingenico Self 5000 Nayax VPOS			
CABLE RATING OPTIONS	250A Dry	250 A 400A Dry	400A Dry (Boost to 500A)	800A Liquid Cooled
		500A Liquid Cooled	500A Liquid Cooled (Boost to 600A)	
BRANDING	Custom Vinyls Powder Coating **			

* 640kW dispensers available soon

** Powder coating subject to MOQ

† 10m dry cable options available soon

TRI-FLEX COMPLIANCE

Electrical Safety

Europe: CE	IEC 61851-1	Electric vehicle conductive charging system general requirements
	IEC 61851-23	Electric vehicle conductive charging system DC electric vehicle charging station
North America: UL / CSA	UL 2202 CSA C22.2	

Electromagnetic Field (EMF)

Europe	IEC 62311	Assessment of electronic and electrical equipment related to human exposure restrictions for electromagnetic fields (0 Hz to 300 GHz)
North America	USA	47 CFR § 1.130
	Canada	RSS-210 and SPR-002

Legal Metrology

Germany	REA-6	California	CTEP
Europe	MID	USA National	NTEP
France:	LNE		

Electromagnetic Compatibility (EMC)

Europe: CE	IEC 61851-21-2	EMC requirements for off board electric vehicle charging emissions
	ETSI EN 303 446-1	Standard for combined and/or integrated radio and non-radio equipment Part 1: Requirements for equipment intended to be used in residential, commercial and light industry locations
North America: FCC	USA	FCC 47 CFR Part 15 B
	Canada	IECS-003

Radio Equipment Directive (RED)

Europe	ETSI EN 303 446-1	CE compliant GSM, 4G
	ETSI EN 301 489-1	Part 1: Common technical requirements
	ETSI EN 301 489-52	Part 52: Specific conditions for cellular communication user equipment (UE) radio and ancillary equipment
North America	FCC certified GSM, 4G	ISED certified GSM, 4G

Environmental

Global	RoHS WEEE
---------------	-------------

Cyber security

EU Cyber Resilience Act	ISO 27001:2022
--------------------------------	----------------

POWER CABINET FLEX HUB

Product Specifications

Supports full range of TRI-FLEX dispenser options

400kW to 1.6MW of power

Connect up to 32 dual cable dispensers

Advanced liquid cooled power electronics

Industry-leading footprint

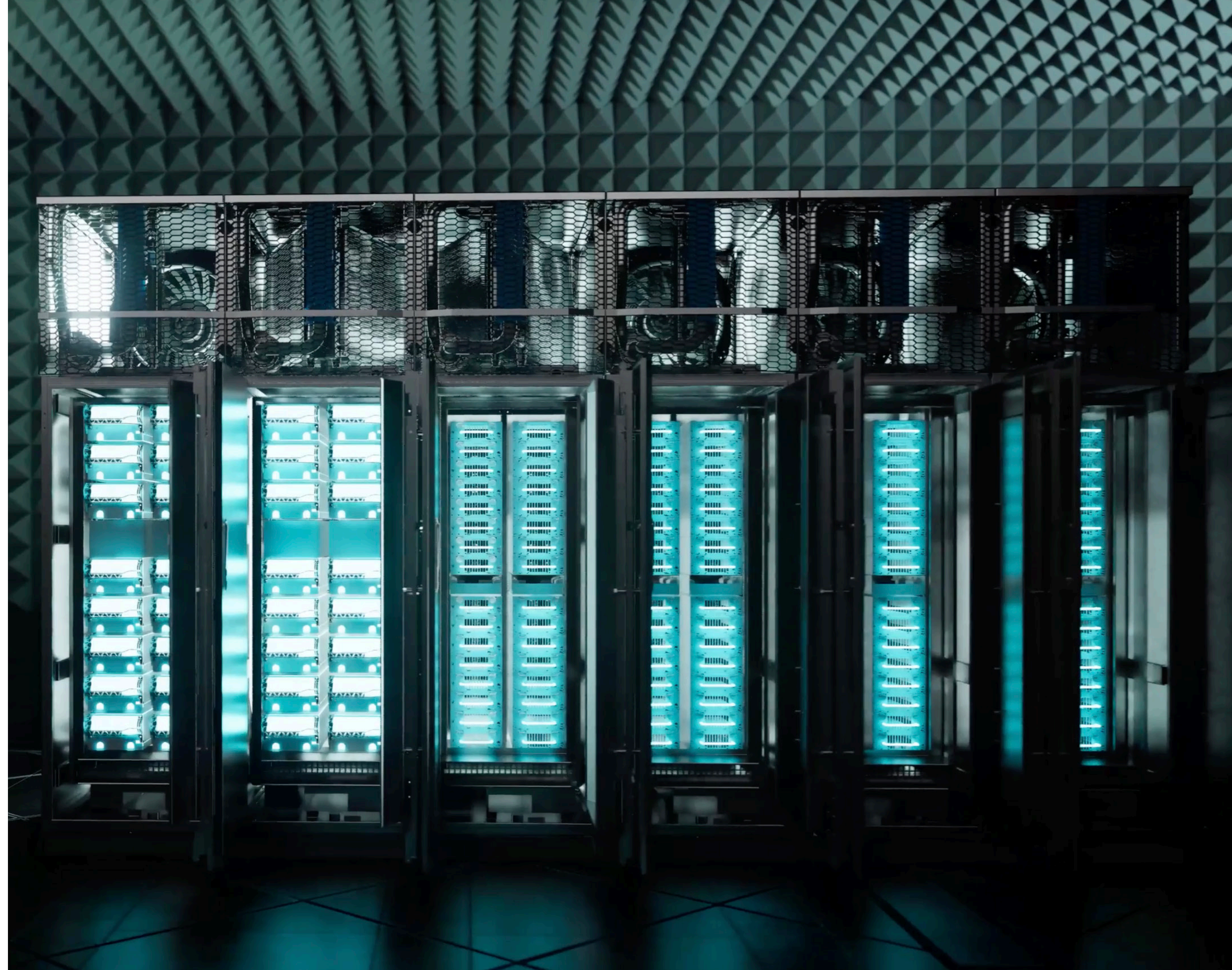
IP65 sealed enclosure for harsh environments

DC integration with batteries and microgrids

Large branding surfaces

Life expectancy: 10 years

Warranty Standard 3 years, +1 yr | +2 yr extensions



Electrical Safety

Surge Protection: Type 1+2 SPD

Input Overvoltage Category: Category III

Short Circuit Current Rating: 85kA

Electrical Protections: Over current, over voltage, under voltage, short circuit, over temperature

Under-Voltage Relay or Shunt Trip: Optional

Environmental

Maximum Operating Altitude : 3000m (9840')

Operating Temperature: -35°C to $+55^{\circ}\text{C}$ (-31°F to $+131^{\circ}\text{F}$)

Storage Temperature: -40°C to $+60^{\circ}\text{C}$ (-40°F to $+140^{\circ}\text{F}$)

IK Rating: IK10

IP Rating: IP65 (NEMA 3R)

Noise Emission ≤ 65 dB(A) @ 1 m, full power 25°C (77°F)

Quiet mode ≤ 55 dB(A)

System Characteristics

Grid Voltage: 400VAC 3ph $+10\%/-15\%$ | 480VAC 3ph $+10\%/-15\%$

Grid Frequency: $50\text{Hz} \pm 10\%$ | $60\text{Hz} \pm 10\%$

Efficiency: 97.2%

Communication Protocol: OCPP 1.6J | OCPP 2.0.1

Network Communications: Ethernet or Cellular SIM 4G/LTE

Earthing Systems: TT, TN-C-S, TN-S, TN-C

Local load management interface: Modbus TCP

Power Factor (Full Power) >0.99

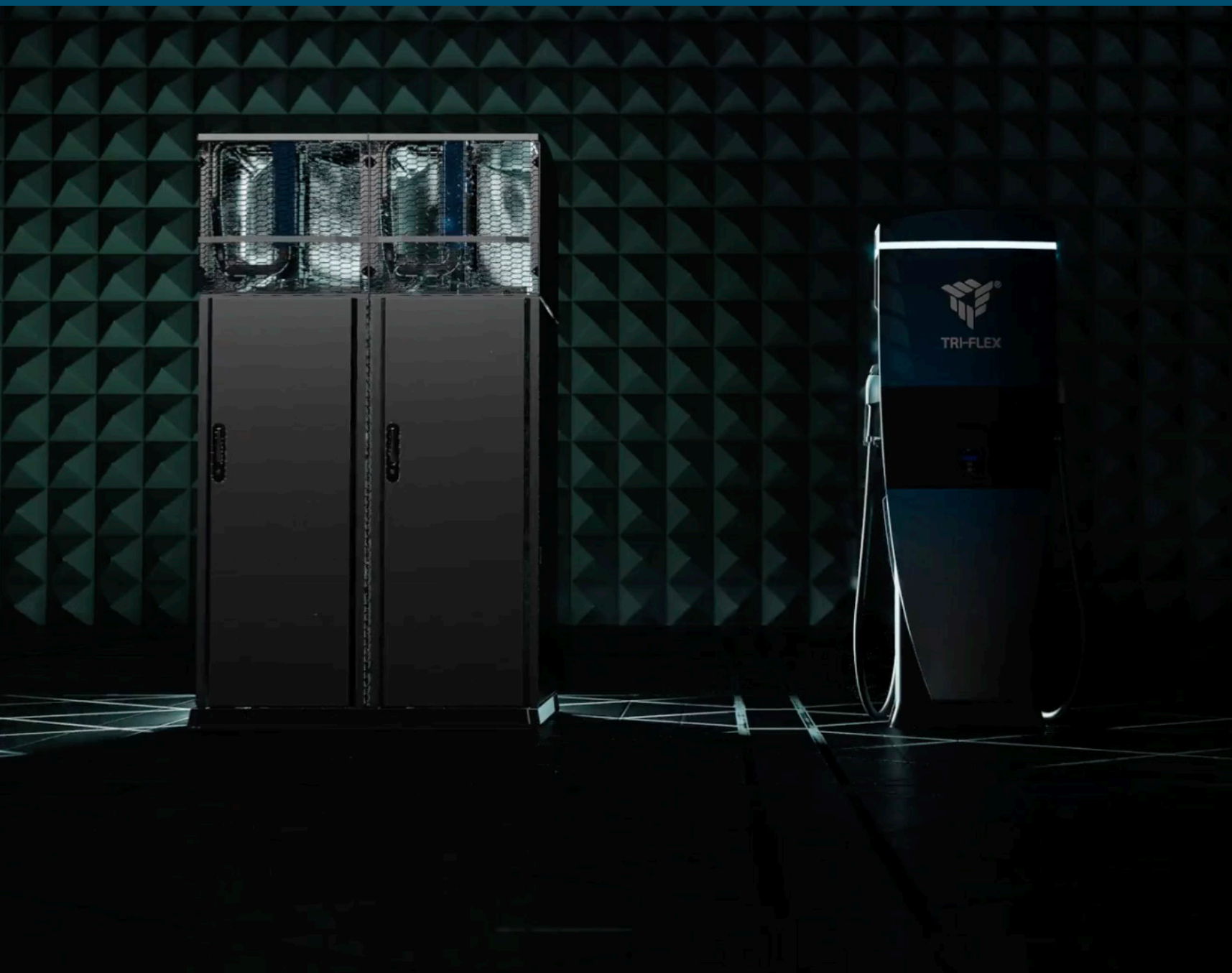
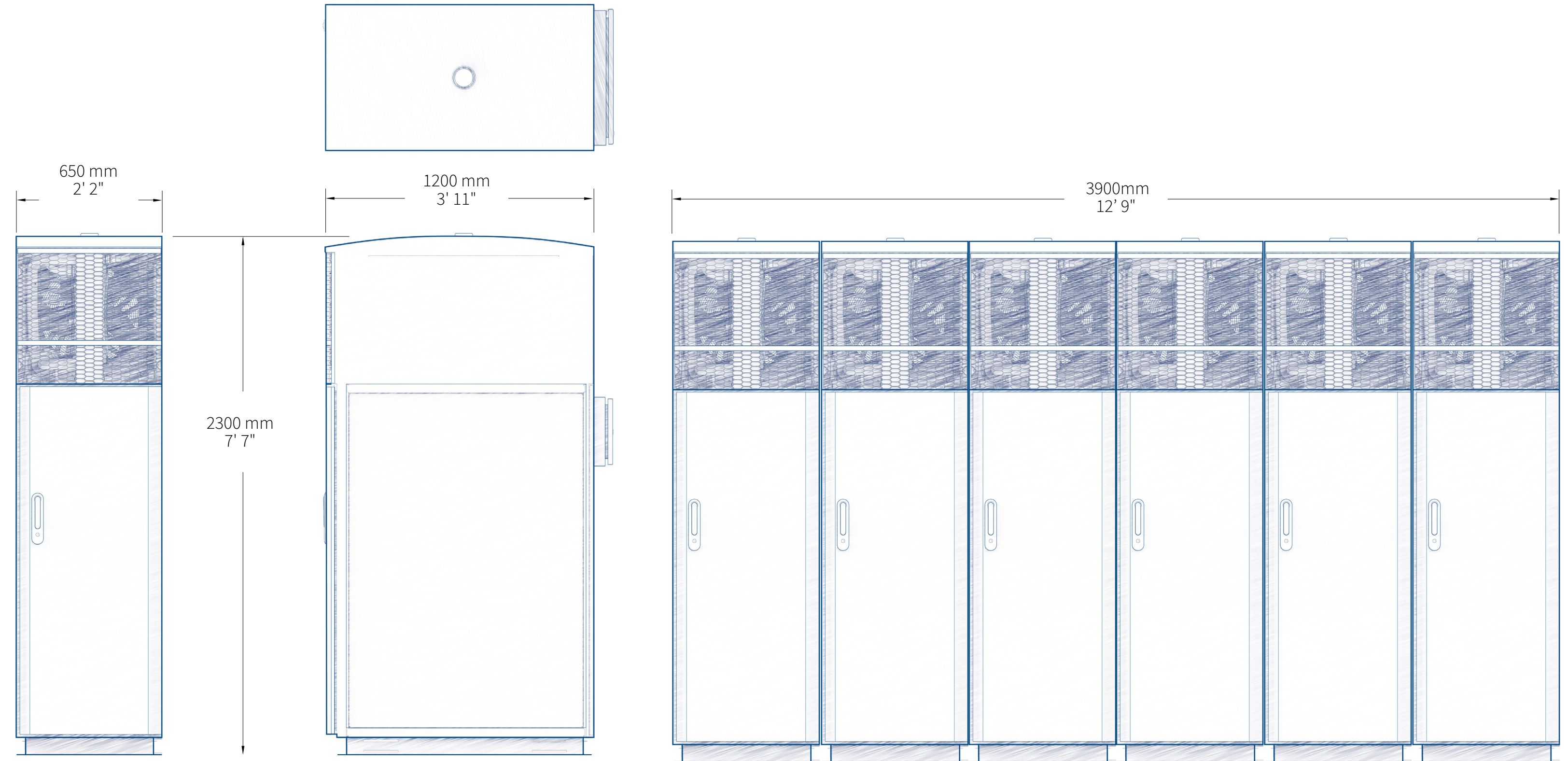
Total Harmonic Distortion (Thd) $<5\%$

Remote management: remote access, configuration, diagnostics, software update



Physical

<i>Height</i>	2300 mm (7' 7")
<i>Width</i>	650 mm (2' 2")
<i>Depth</i>	1200 mm (3' 11")
<i>Weight</i>	1430 kg (3152 lbs)
<i>Shipping Weight</i>	1610 kg (3549 lbs)





	400KW - 800KW GRID CONNECTION		1000KW - 1600KW GRID CONNECTION	
DISPENSER POWER	NUMBER OF DISPENSERS			
100KW	8	16	16	32
200KW	4	8	8	16
400KW	2	4	4	8
640KW	1	2	2	4
Nominal Input Current	400V AC : 1260A 480V AC : 1050A		400V AC : 2520A 480V AC : 2100A	
Low Line Input Current	400V AC: 1290A 480V AC: 1170A		400V AC : 2580A 480V AC : 2340A	
DIMENSIONS				
Height	2300mm (7' 7")	2300mm (7' 7")	2300mm (7' 7")	2300mm (7' 7")
Width	1300mm (4' 18")	1950mm (6' 4")	2600mm (8' 6")	3900mm (12' 9")
Depth	1200mm (3' 11")	1200mm (3' 11")	1200mm (3' 11")	1200mm (3' 11")



TRITIUM™

AMERICAS • APAC • EUROPE • UK

tritiumcharging.com